



Feature -

design for digital camera
10 modes function

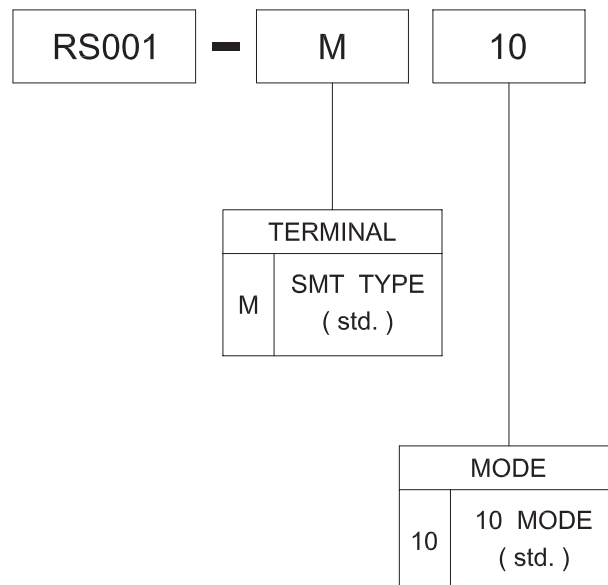
Application -

shutter of still cameras
and video cameras

► SPECIFICATIONS

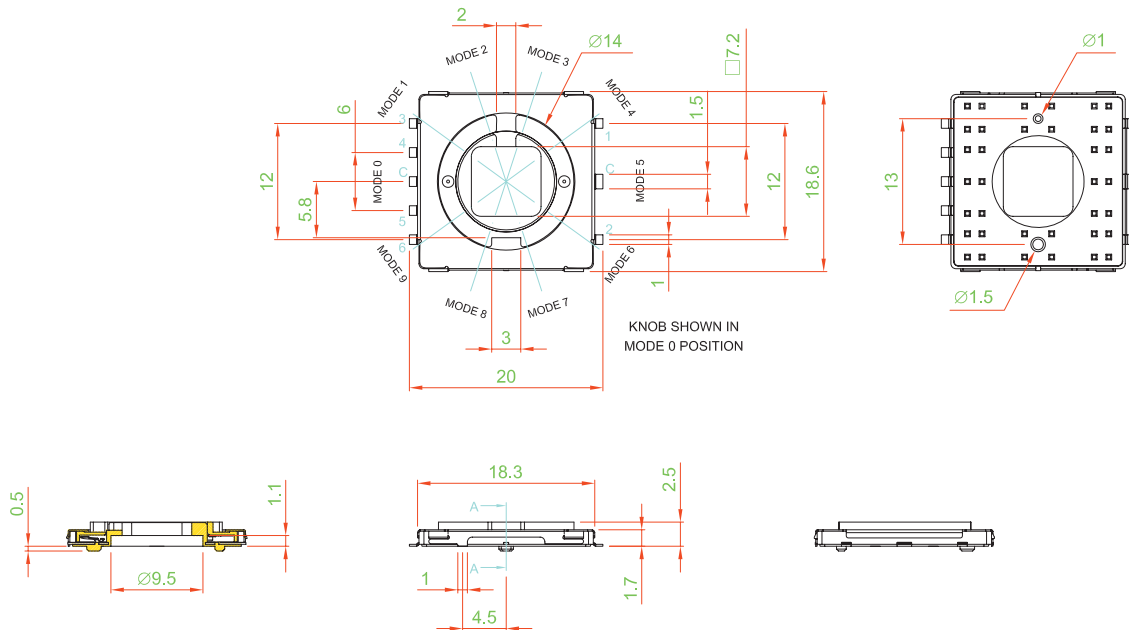
SWITCH SPECIFICATIONS	
POLE - POSITION	SMT TYPE , 10 MODE
CONTACT RATING	12 V DC , 50 mA
CONTACT RESISTANCE	200 mΩ MAX. 5 V DC ; 1 A , by Method of Voltage DROP
INSULATION RESISTANCE	100 MΩ MIN. 500 V DC for 1 minute
DIELECTRIC STRENGTH	Breakdown is not Allowable ; 100 V AC for 1 Minute
OPERATING FORCE	50 gf.cm MAX.
OPERATING LIFE	50,000 cycles
OPERATING TEMPERATURE RANGE	-20°C ~ 70°C

► HOW TO ORDER



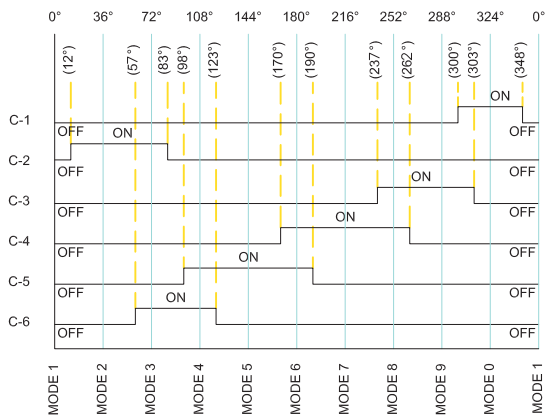
RS001 SERIES ROTARY SWITCH

DIMENSION

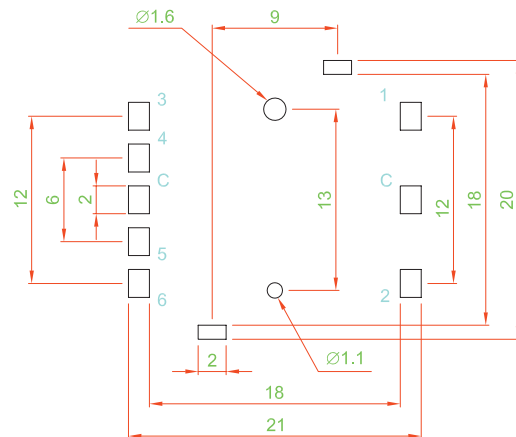


► RS001-M10

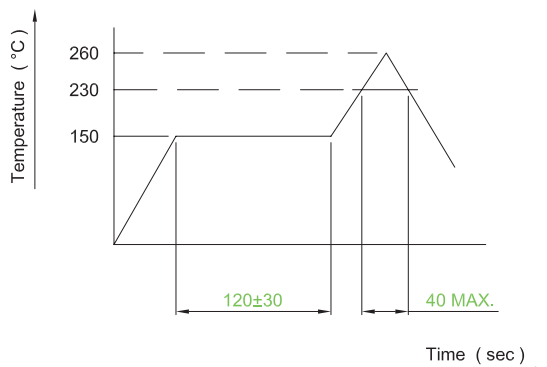
CIRCUIT DIAGRAM



P.C.B. LAYOUT



REFLOW SOLDERING



MATERIAL

- COVER : NS2(C7521R-H)
- ROTOR : LCP + GF
- FRAME : LCP + GF
- TERMINAL : BRASS SILVER PLATING

PACKAGING

- TAPE & REEL : 780 pcs / reel

UNIT WEIGHT

- RS001 : 1.1 ± 0.05 g / pc